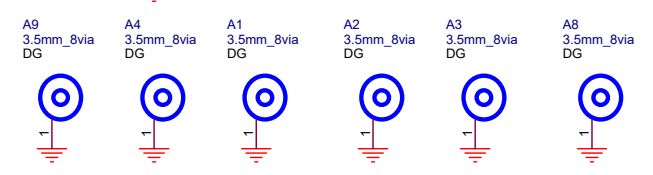
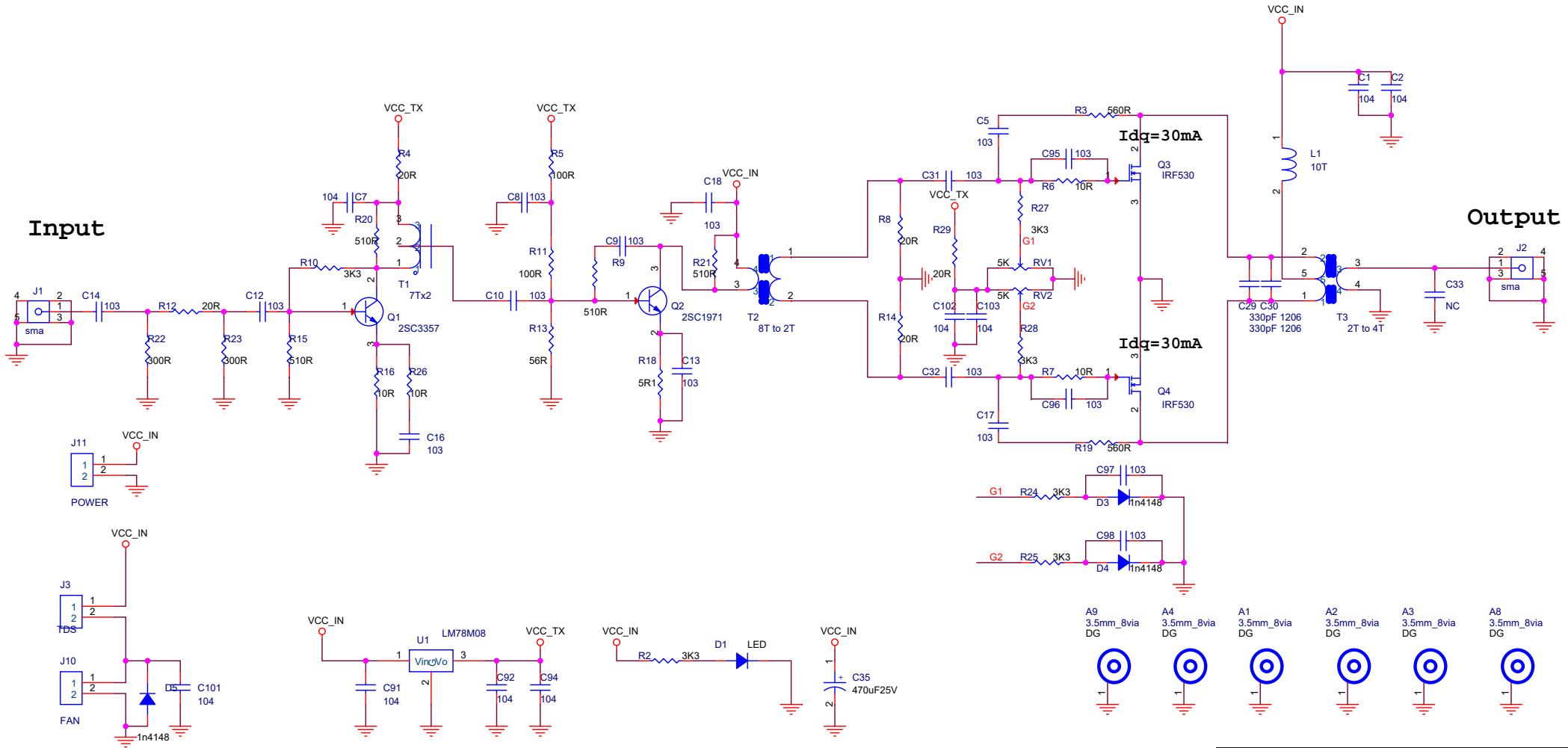


NC:NOT Connect

POWER
DC 12-15V @6A

Input

Output



Title		
RF-AMP-530		
Size	Document Number	Rev
B	<Doc>	v702
Date:	Friday, June 18, 2021	Sheet 1 of 1